



Model Number

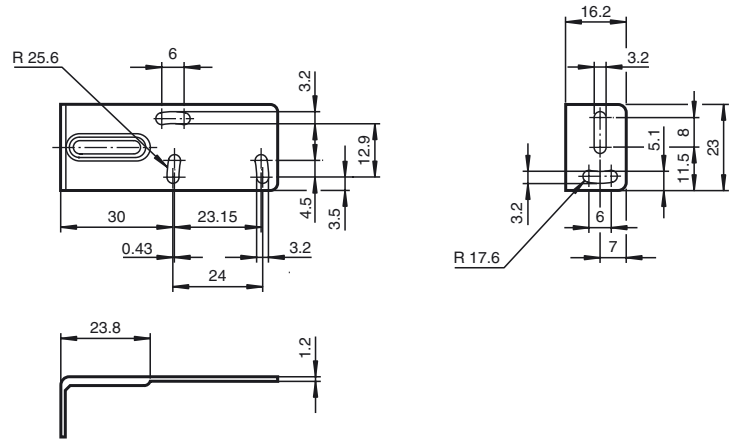
OMH-ML7-01

Mounting aid for ML7 and ML8 series,
Mounting bracket

Features

- Mounting bracket
- Simple and fast mounting

Dimensions



Technical data

Mechanical specifications

Material	Stainless steel
Mass	approx. 15 g
Mounting	Mounting accessories included

Suitable series

Series	ML7 ML8
--------	------------